

Technical Datasheet of Technigalva[®]-SL (ZnNi0.12%) & Technigalva[®]-SL Plus

Uses

Pre-alloyed (lead free) Zinc-Nickel-Bismuth-Tin alloy suitable for hot dip galvanising of iron and steel products.

Chemical specification

Chemical specification Guaranteed analysis	Technigalva [®] -SL	Technigalva [®] -SL Plus
Ni	0.15%±0.03%	0.12%±0.03%
Bi	-	0.05%±0.01%
Pb	≤ 0.005%	≤ 0.005%
Cd	≤ 0.003%	≤ 0.003%
Fe	≤ 0.005%	≤ 0.005%
Cu	≤ 0.001%	≤ 0.001%
Al	≤ 0.005%	≤ 0.005%
Zn.	Balance	Balance

Physical data

Physical property	Unit	Value
Density solid	kg/dm ³	7.14
liquid (@ 419°C)	kg/dm ³	6.62
Melting point	°C	419
Superficial tension (@ 450°C)	N/m	0.78
Melting enthalpy	kJ/kg	100
Thermal capacity solid	J/kg K	390
liquid	J/kg K	560

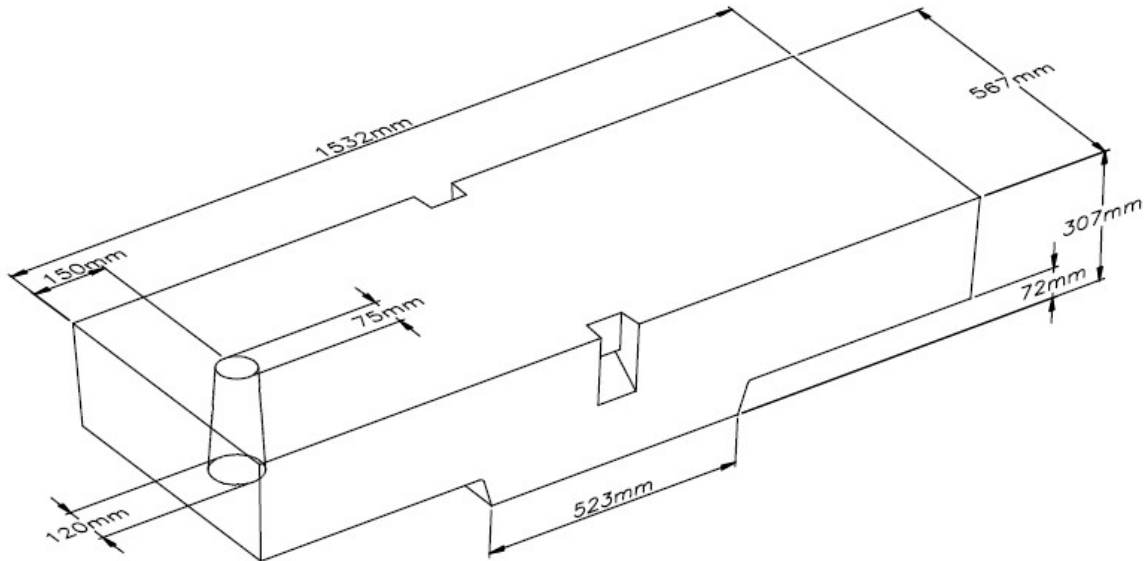
Available shapes/package

Shape/package	Nominal weight (in kg)	Dimensions (in mm)
Block Jumbo 1450 kg Colour marking: Green	1400 ± 100	1532 x 567 x 307

Technical Datasheet of Technigalva®-SL (ZnNi0.12%) & Technigalva®-SL Plus

BUDEL ZINK Block (Jumbo) 1450 kg

Nominal mass 1400 ± 100 kg
Dimensions 1532 x 567 x 307



DRAFT